

Pitch: .050"

SCA-2, .050" CENTER PLUG SOLDER TAIL

SPECIFICATIONS

Meets: SCSI-3 (80 position) & FC-AL (40 position)
as defined in SFF8451

ENVIRONMENTAL

Temperature Range: -55°C to +85°C

MECHANICAL

Insulator Material: High temperature thermoplastic
black, UL94V-0

Contact Material: Phosphor Bronze

Clip Material: Brass

Contact Plating: Mating area: 30µ IN gold
Tail area: 150µ IN tin
Underplate: 50µ IN nickel

ELECTRICAL

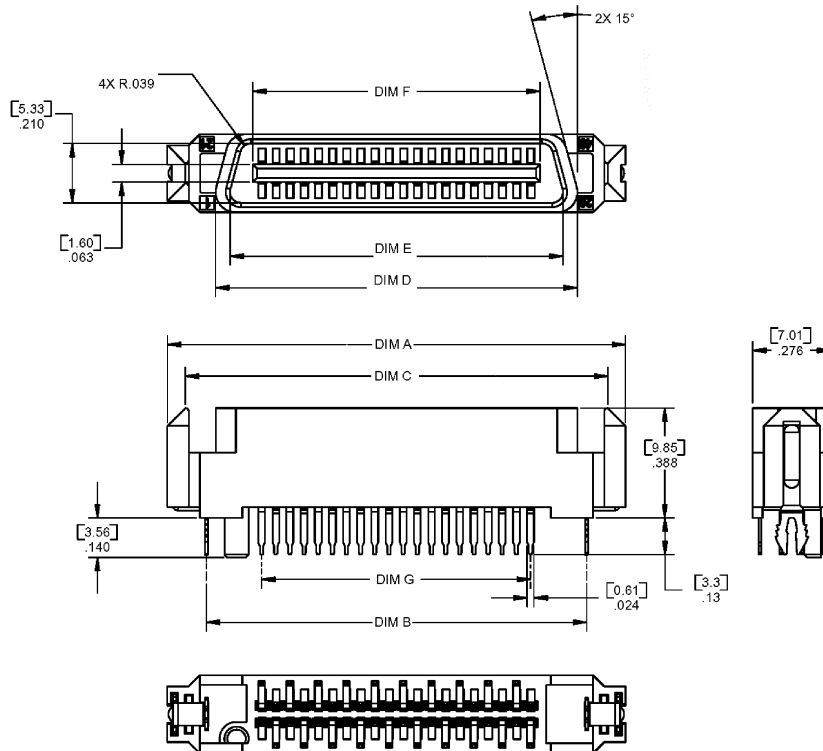
Current Rating: 1 AMP

Consult factory for additional options

CA- POSITION SCA2P-F-11

POSITION
40 80

DIMENSIONS							
Position	A	B	C	D	E	F	G
40	1.618 [41.10]	1.343 [34.11]	1.492 [37.90]	1.278 [32.46]	1.176 [29.87]	1.015 [25.78]	.950 [24.13]
80	2.618 [66.50]	2.343 [59.51]	2.492 [63.30]	2.278 [57.86]	2.176 [55.27]	2.015 [51.18]	1.950 [49.53]



Mating Product: SCA2 (pages 56-60)

Drawing Number: CA-620460



For more information please contact our customer service department or visit our website at circuitassembly.com

Circuit Assembly Worldwide Hqtrs. 18 Thomas Street, Irvine, CA 92618-2777 USA Tel 1-949-855-7887 Fax 1-949-855-4298