

Pitch: 2mm

INSULATION DISPLACEMENT 2MM SOCKET

SPECIFICATIONS

ENVIRONMENTAL

Temperature Range: -55°C to +105°C

MECHANICAL

Insulator Material: Glass-filled thermoplastic, black, UL94V-0

Contact Material: Copper Alloy

Contact Plating: Gold Flash

Terminates To: 1mm cable

ELECTRICAL

Current Rating: 1 AMP

Consult factory for additional options

3

CA- MID-A- -

POSITION	POLARIZATION	STRAIN RELIEF
10 24 40	Blank = no polarization	Blank = no strain relief
12 26 44	SPT = w/polarization*	SR = w/strain relief**
14 30 50		
20 34 68		
22 36		

*Polarization tab not available in 68 position

**Strain relief not available for 36 & 68 positions

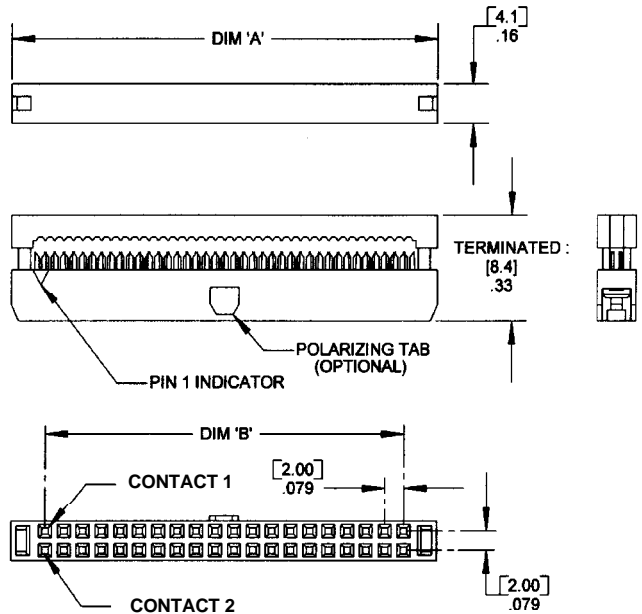
DIMENSIONS		
Position	A	B
10	.598 [15.20]	.315 [8.00]
12	.677 [17.20]	.394 [10.00]
14	.756 [19.20]	.472 [12.00]
16	.835 [21.20]	.551 [14.00]
20	.992 [25.20]	.708 [18.00]
22	1.071 [27.20]	.787 [20.00]
24	1.150 [29.20]	.866 [22.00]
26	1.228 [31.20]	.944 [24.00]
30	1.386 [35.20]	1.102 [28.00]
34	1.543 [39.20]	1.259 [32.00]
36	1.622 [41.20]	1.338 [34.00]
40	1.780 [45.20]	1.496 [38.00]
44	1.937 [49.20]	1.653 [42.00]
50	2.173 [55.20]	1.889 [48.00]
68	2.882 [73.20]	2.598 [66.00]



Socket Key
CA-MIDK



Strain Relief
CA-SRXXMID
(not available in 36 & 68 position)



Mating Product: DM (page 122)

Drawing Number: CA-610176

For more information please contact our customer service department or visit our website at circuitassembly.com

Circuit Assembly Worldwide Hqtrs. 18 Thomas Street, Irvine, CA 92618-2777 USA Tel 1-949-855-7887 Fax 1-949-855-4298

