



Pitch: .050"

INSULATION DISPLACEMENT LOW PROFILE SCSI PLUG

SPECIFICATIONS

ENVIRONMENTAL

Temperature Range: -55°C to +105°C

MECHANICAL

Insulator Material: Glass-filled thermoplastic, black, UL94V-0

Contact Material: Phosphor Bronze

Contact Plating: Mating Area: 15µ IN gold

Terminates To: .025" cable, 30 AWG

ELECTRICAL

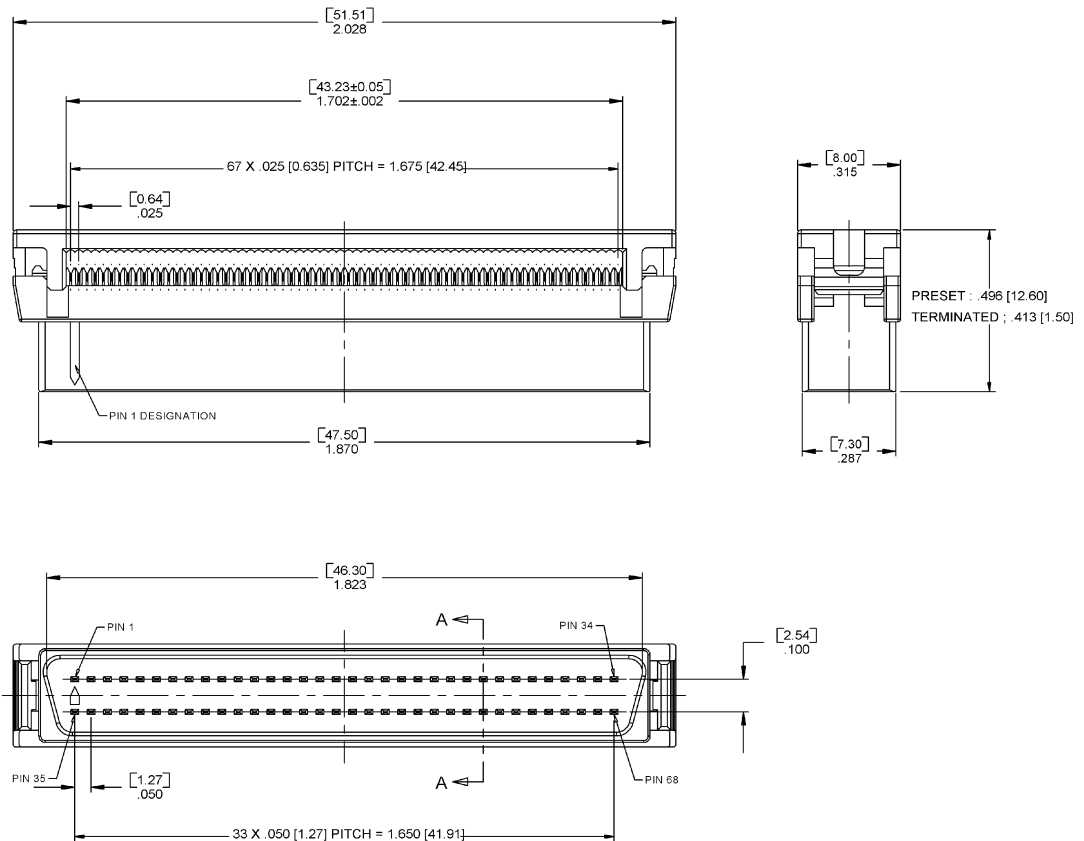
Current Rating: 0.5 AMP

CA-68LDP-C-P- OPTION

ACCESSORY OPTION

SR = Strain Relief

Blank = no strain relief



Mating Product: NFDS (page 50-51), MDS (page 52), HDSR (page 53)

Drawing Number: CA-T610027



For more information please contact our customer service department or visit our website at circuitassembly.com

Circuit Assembly Worldwide Hqtrs. 18 Thomas Street, Irvine, CA 92618-2777 USA Tel 1-949-855-7887 Fax 1-949-855-4298