

Pitch: .100" x .100"

# INSULATION DISPLACEMENT EJECT HEADER

## SPECIFICATIONS

### ENVIRONMENTAL

Temperature Range: -55°C to +105°C

### MECHANICAL

Insulator Material: Glass-filled polyester, gray, UL94V-0

Contact Material: Phosphor Bronze

Contact Plating: See options below

Terminates To: .050" cable, 28 AWG

### ELECTRICAL

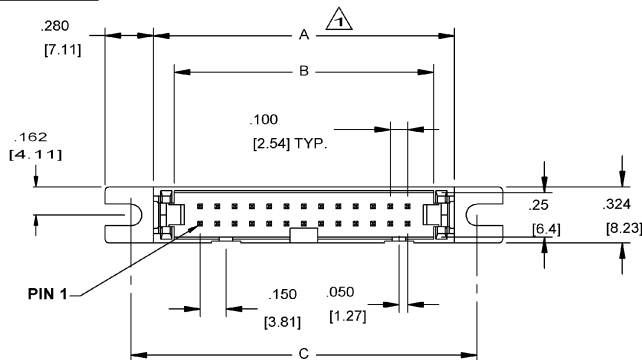
Current Rating: 1 AMP

Consult factory for additional options

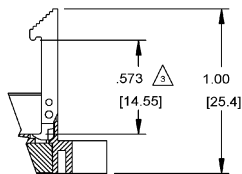
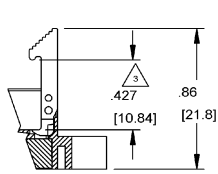
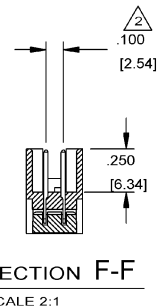
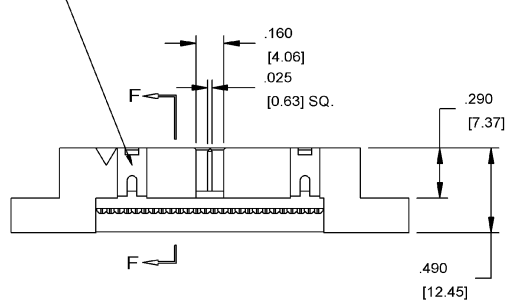
CA-  IDH-   -SPT

| POSITION | EARS          | PLATING         |
|----------|---------------|-----------------|
| 10 40    | 2 = with ears | C = 15µ IN gold |
| 20 50    | 3 = no ears   | F = 30µ IN gold |
| 26 60    |               |                 |
| 34       |               |                 |

| DIMENSIONS |                  |                  |                  |
|------------|------------------|------------------|------------------|
| Position   | A                | B                | C                |
| 10         | .900<br>[22.86]  | .700<br>[17.78]  | 1.200<br>[30.48] |
| 20         | 1.400<br>[35.56] | 1.200<br>[30.48] | 1.700<br>[43.18] |
| 26         | 1.700<br>[43.18] | 1.500<br>[38.10] | 2.000<br>[50.80] |
| 34         | 2.100<br>[53.34] | 1.900<br>[48.26] | 2.400<br>[60.96] |
| 40         | 2.400<br>[60.96] | 2.200<br>[55.88] | 2.700<br>[68.58] |
| 50         | 2.900<br>[73.66] | 2.700<br>[68.58] | 3.200<br>[81.28] |
| 60         | 3.400<br>[86.36] | 3.200<br>[81.28] | 3.700<br>[93.98] |



THE POLARIZING FEATURE ON THIS END IS OMITTED ON CA-10IDH



Mating Product: H Series (page 94-103), DXX, DXXR strip header (page 107-109), IDHB (page 82)

Drawing Number: CA-620228

For more information please contact our customer service department or visit our website at circuitassembly.com

Circuit Assembly Worldwide Hqtrs. 18 Thomas Street, Irvine, CA 92618-2777 USA Tel 1-949-855-7887 Fax 1-949-855-4298

