



# FIBRE CHANNEL HSSDC, HIGH SPEED SERIAL DATA CONNECTOR

## SPECIFICATIONS

Meets: SFF 8420 for HSSDC-1 for shielded connectors

## ENVIRONMENTAL

Temperature Range: -10°C to +50°C

## MECHANICAL

Insulator Material: Glass-filled nylon, black, UL94V-0  
 Cover Material: Steel  
 Contact Material: Phosphor Bronze  
 Contact Plating: Contact Area: 30µ IN gold  
 Solder Area: 150µ IN tin over 75µ IN nickel

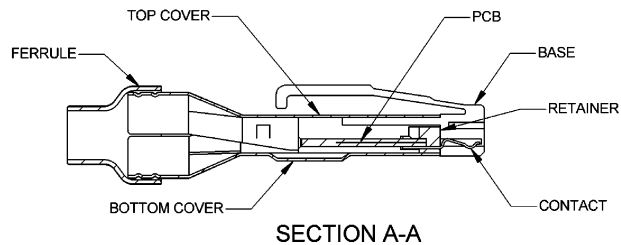
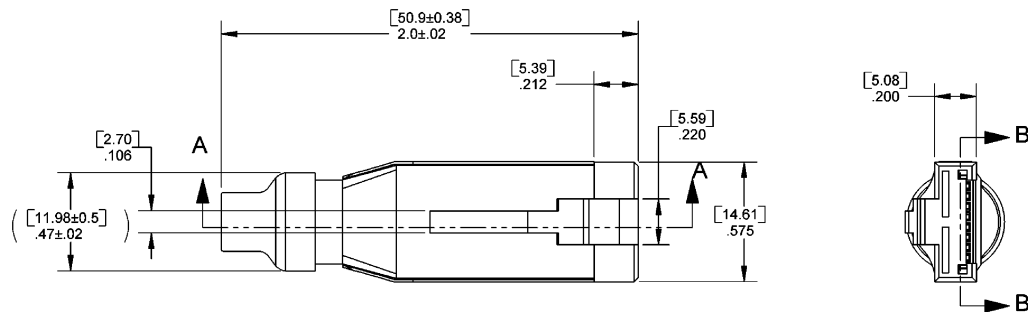
## ELECTRICAL

Current Rating: 1 AMP

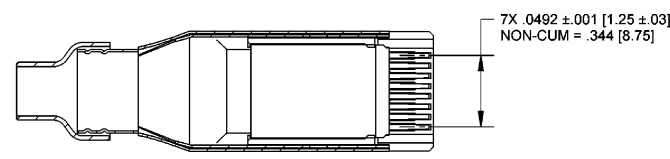
Consult factory for additional options

CA-08HSSDCP-F FERRULE 0 PCB

FERRULE	PCB (unequalized)
1 = 28-30 AWG	1 = with
2 = 22-26 AWG	0 = without



SECTION A-A



SECTION B-B

Drawing Number: CA-620403

For more information please contact our customer service department or visit our website at circuitassembly.com

Circuit Assembly Worldwide Hqtrs. 18 Thomas Street, Irvine, CA 92618-2777 USA Tel 1-949-855-7887 Fax 1-949-855-4298

