

DIP RIGHT ANGLE USB SOCKET

SPECIFICATIONS

ENVIRONMENTAL

Temperature Range: -55°C to +105°C

MECHANICAL

Insulator Material: Glass-fiber thermoplastic, UL94V-0

Shell Material: Brass

Contact Material: Brass

Contact Plating: See options below

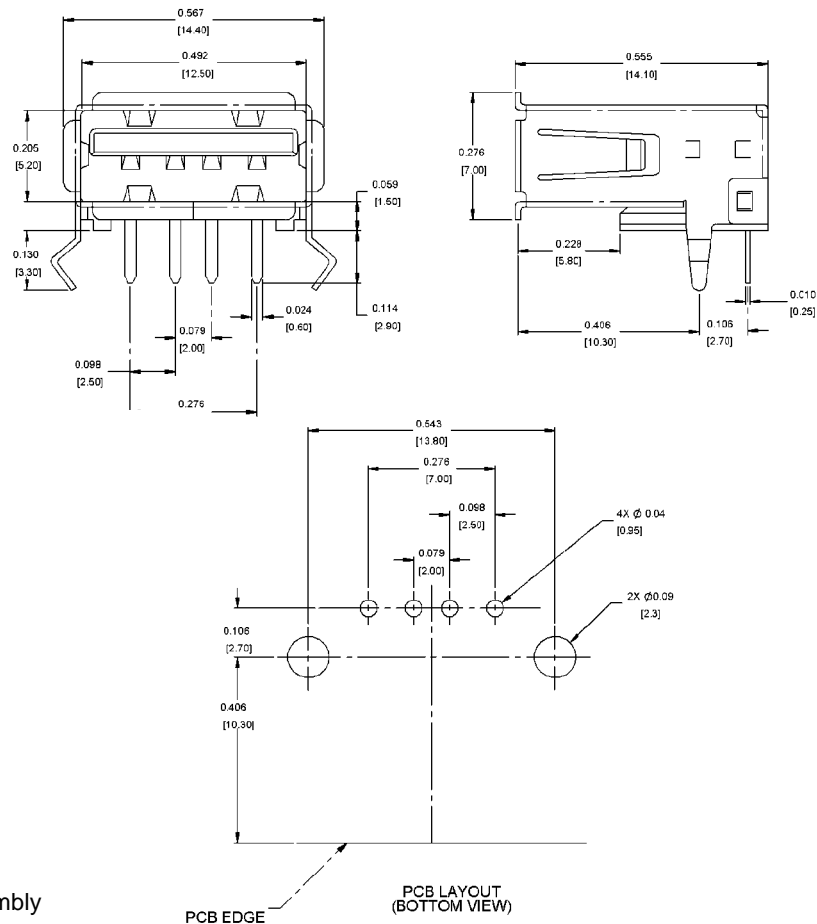
ELECTRICAL

Current Rating: 1 AMP

Consult factory for additional options

CA-04USBSAR1-D SHELL - PLATING - COLOR

SHELL	PLATING	COLOR
1 = Open type	A = gold flash	BLK = black
2 = Full shield type	C = 15µ IN gold	WHT = white
	F = 30µ IN gold	



Mating Product: USB cable assembly
 Drawing Number: CA-T517016

For more information please contact our customer service department or visit our website at circuitassembly.com

Circuit Assembly Worldwide Hqtrs. 18 Thomas Street, Irvine, CA 92618-2777 USA Tel 1-949-855-7887 Fax 1-949-855-4298