

2



Pitch: .050"

## SCA-2, .050" CENTER PLUG COMPLIANT PIN

### SPECIFICATIONS

Meets: SCSI-3 (80 position) & FC-AL (40 position) as defined in SFF8451

### ENVIRONMENTAL

Temperature Range: -55°C to +85°C

### MECHANICAL

Insulator Material: High temperature thermoplastic black, UL94V-0

Contact Material: Phosphor Bronze

Clip Material: Brass

Contact Plating: Mating area: 30µ IN gold  
Tail area: 150µ IN tin  
Underplate: 50µ IN nickel

### ELECTRICAL

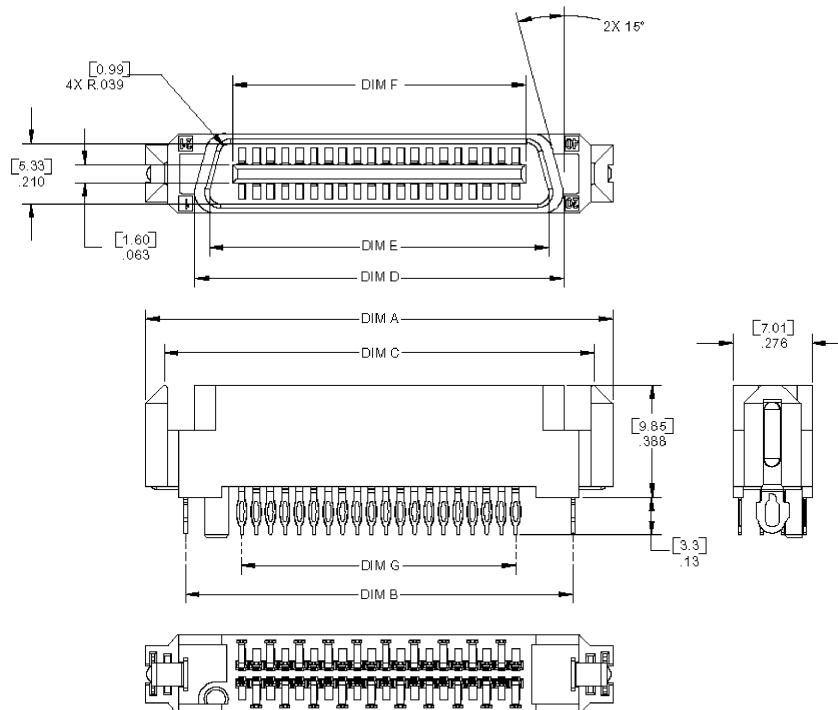
Current Rating: 1AMP

Consult factory for additional options

CA- POSITION SCA2P-F-21

POSITION
40      80

DIMENSIONS							
Position	A	B	C	D	E	F	G
40	1.618 [41.10]	1.343 [34.11]	1.492 [37.90]	1.278 [32.46]	1.176 [29.87]	1.015 [25.78]	.950 [24.13]
80	2.618 [66.50]	2.343 [59.51]	2.492 [63.30]	2.278 [57.86]	2.176 [55.27]	2.015 [51.18]	1.950 [49.53]



Mating Product: SCA2 (pages 56-60)

Drawing Number: CA-620439

