

Pitch: .050"

SCA2, .050" CENTER SOCKET SOLDER, EXTENDED BODY (.689")

SPECIFICATIONS

Meets: SCSI-3 (80 position) & FC-AL (40 position) as defined in SFF8451

ENVIRONMENTAL

Temperature Range: -55°C to +85°C

MECHANICAL

Insulator Material: High temperature thermoplastic black, UL94V-0

Contact Material: Phosphor Bronze

Clip Material: Brass

Contact Plating: Mating area: 30µ IN gold
Tail area: 150µ IN tin
Underplate: 50µ IN nickel

ELECTRICAL

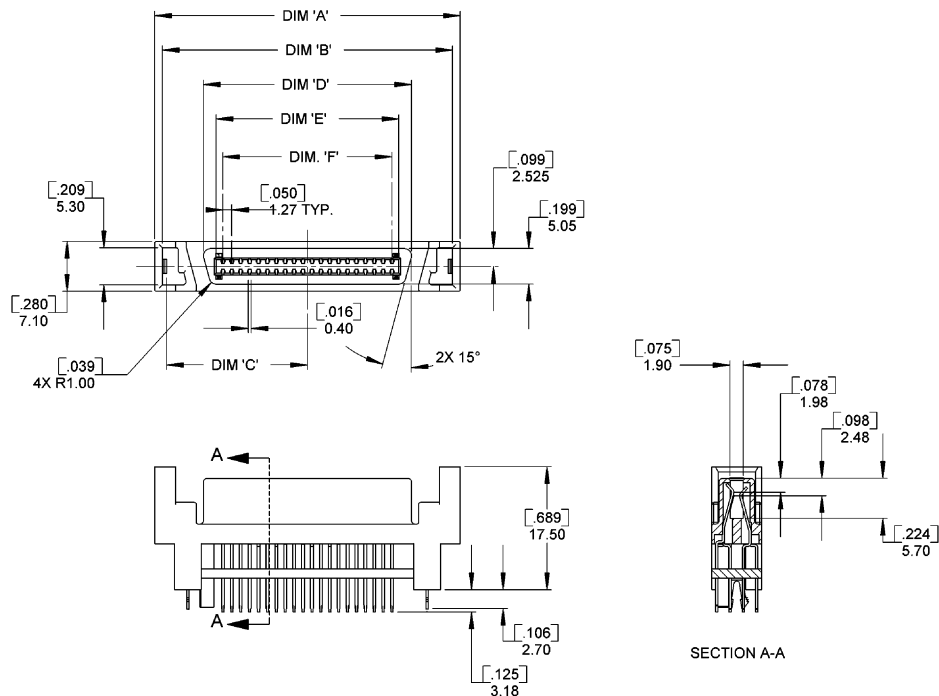
Current Rating: 1 AMP

Consult factory for additional options

CA- POSITION SCA2-F-12

POSITION
40 80

DIMENSIONS						
Position	A	B	C	D	E	F
40	1.717 [43.60]	1.630 [41.40]	.791 [20.10]	1.168 [29.67]	1.025 [26.03]	.950 [24.13]
80	2.717 [69.00]	2.630 [68.80]	1.291 [32.80]	2.168 [55.07]	2.025 [51.43]	1.950 [49.53]



Mating Product: SCA2P (pages 61-64)

Drawing Number: CA-610230

For more information please contact our customer service department or visit our website at circuitassembly.com

Circuit Assembly Worldwide Hqtrs. 18 Thomas Street, Irvine, CA 92618-2777 USA Tel 1-949-855-7887 Fax 1-949-855-4298

