



SERIAL ATTACHED SCSI SOCKET EXTENDED HEIGHT, THRU HOLE

SPECIFICATIONS

ENVIRONMENTAL

Temperature Range: -20°C to +85°C

MECHANICAL

Insulator Material: High temperature thermoplastic, black

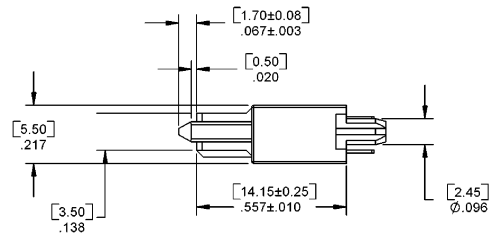
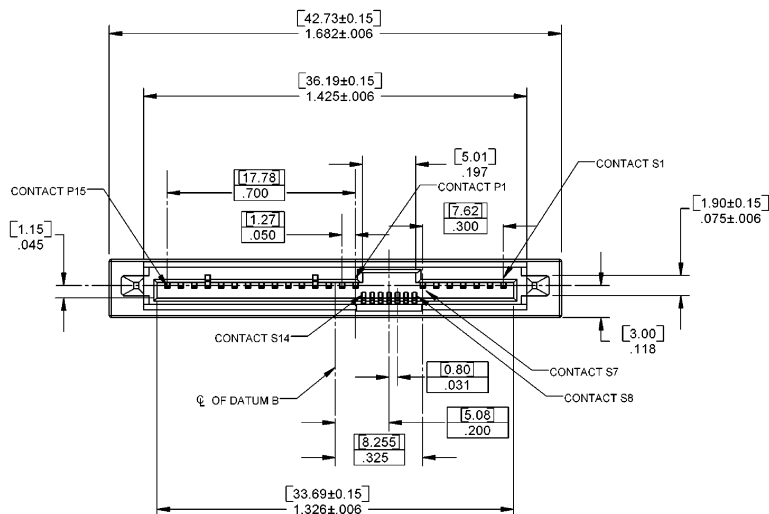
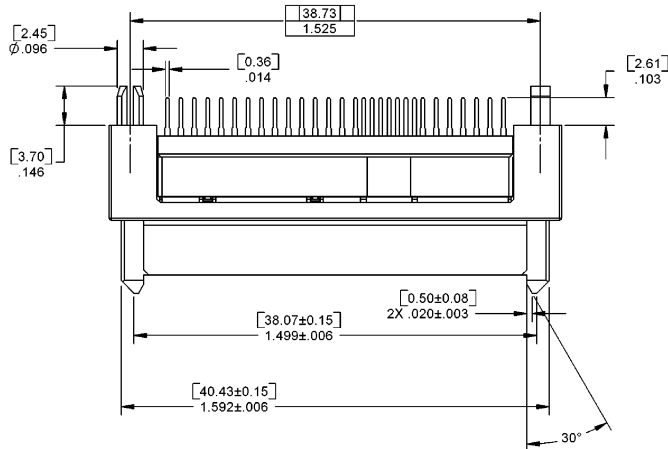
Contact Material: Copper Alloy

Contact Plating: 30µ IN gold

ELECTRICAL

Current Rating: 1 AMP

CA-29SAS-F-21



Drawing Number: CA-610330



For more information please contact our customer service department or visit our website at circuitassembly.com

Circuit Assembly Worldwide Hqtrs. 18 Thomas Street, Irvine, CA 92618-2777 USA Tel 1-949-855-7887 Fax 1-949-855-4298