



SERIAL ATA HOST PLUG RIGHT ANGLE SMT

SPECIFICATIONS

ENVIRONMENTAL

Temperature Range: -20°C to +85°C

MECHANICAL

Insulator Material: High-temperature thermoplastic, UL94V-0

Contact Material: Copper Alloy

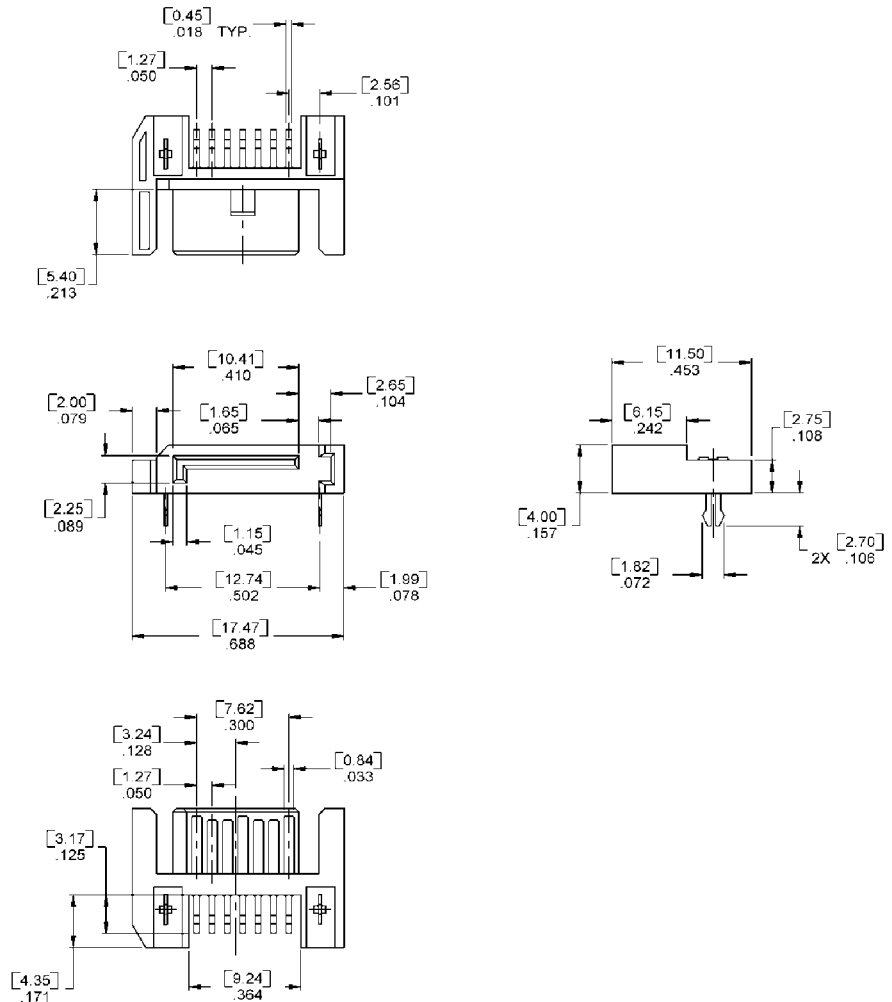
Contact Plating: See options below

ELECTRICAL

Current Rating: 1 AMP

CA-07SAHPR-PLATING-0-1

PLATING	
A	= gold flash
C	= 15μ IN gold
D	= 5μ IN gold
F	= 30μ IN gold



Mating Product: SAHS (pages 26-29)

Drawing Number: CA-610303



For more information please contact our customer service department or visit our website at circuitassembly.com

Circuit Assembly Worldwide Hqtrs. 18 Thomas Street, Irvine, CA 92618-2777 USA Tel 1-949-855-7887 Fax 1-949-855-4298