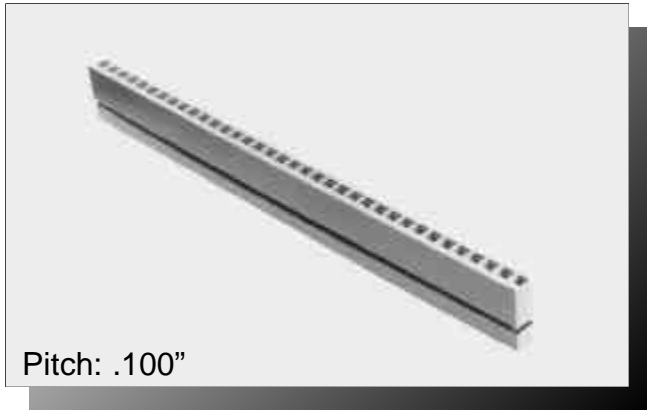


3



Pitch: .100"

CA-S36IDS2-F

INSULATION DISPLACEMENT STRIP SOCKET

SPECIFICATIONS

ENVIRONMENTAL

Temperature Range: -55°C to +105°C

MECHANICAL

Insulator Material: Glass-filled thermoplastic, gray, UL94V-0

Contact Material: Phosphor Bronze

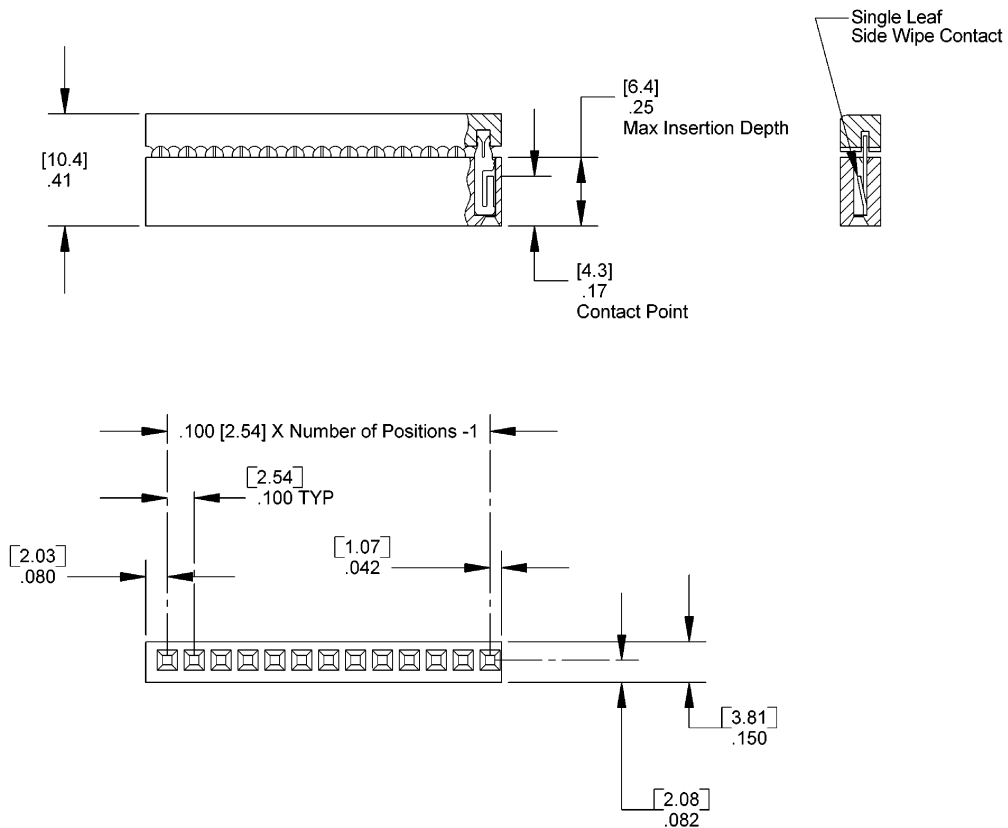
Contact Plating: Contact Area: 30µ IN gold
Mating Area: 150µ IN tin

Terminates To: .050 & .100 cable, 28 AWG

ELECTRICAL

Current Rating: 1 AMP

Consult factory for additional plating and position options



Mating Product: .100" strip header
Drawing Number: CA-610096

