



RIBBON CABLE IDT SOCKET

SPECIFICATIONS

ENVIRONMENTAL

Temperature Range: -55°C to +105°C

MECHANICAL

Insulator Material: Glass-filled thermoplastic, black, UL94V-0

Contact Material: Copper Alloy

Shell Material: See options below

Contact Plating: Gold Flash

Terminates To: .050" cable, 28 AWG

ELECTRICAL

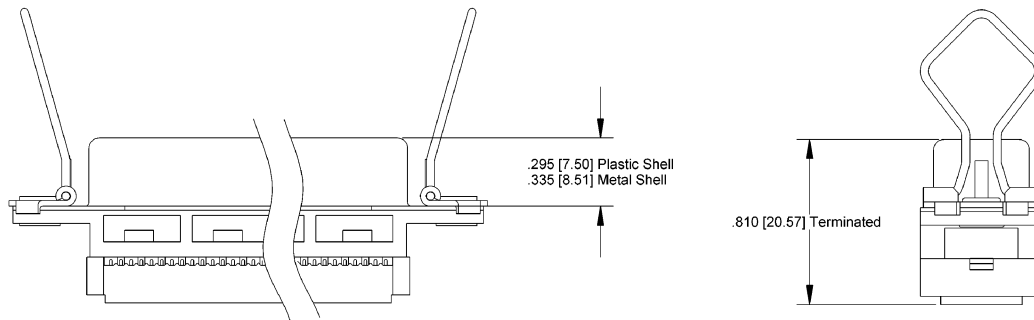
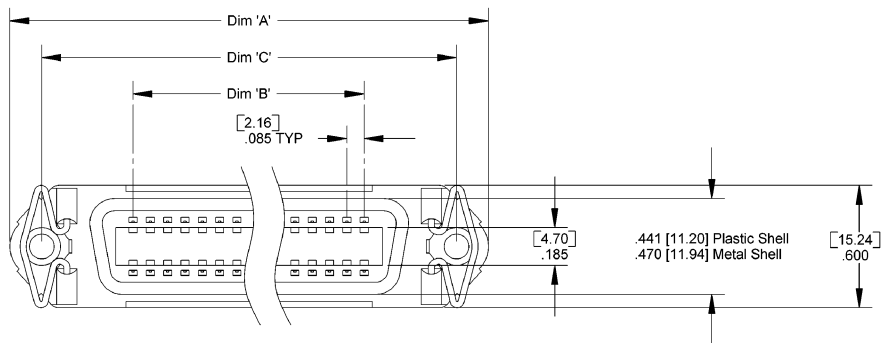
Current Rating: 1 AMP

CA- POSITION RSID- MOUNTING SHELL -SR

Consult factory for additional configurations

POSITION	MOUNTING HOLES	SHELL
36	2 = .120" thru holes	Blank = Metal
50	4 = 4-40 UNC threaded holes	P = Plastic

DIMENSIONS			
Position	A	B	C
36	2.66 [67.6]	1.445 [36.70]	2.352 [59.74]
50	3.26 [82.8]	2.040 [51.82]	2.947 [74.85]



Mating Product: RPID (page 146)

Drawing Number: CA-610165



For more information please contact our customer service department or visit our website at circuitassembly.com

Circuit Assembly Worldwide Hqtrs. 18 Thomas Street, Irvine, CA 92618-2777 USA Tel 1-949-855-7887 Fax 1-949-855-4298