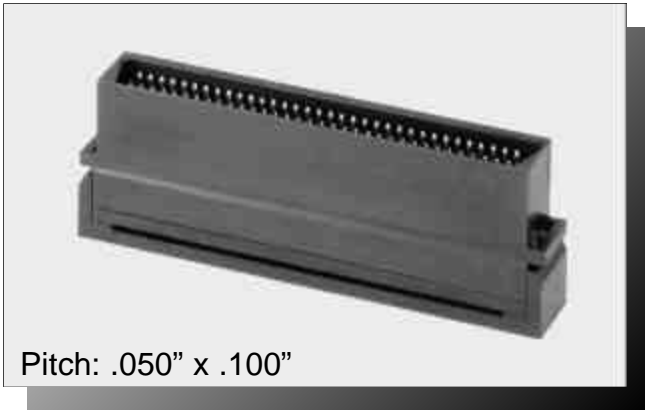


2



Pitch: .050" x .100"

# INSULATION DISPLACEMENT PLUG SCSI-2/3

### SPECIFICATIONS

Meets: SCSI-3 standard

### ENVIRONMENTAL

Temperature Range: -55°C to +105°C

### MECHANICAL

Insulator Material: Glass-filled polyester, black, UL94V-0

Contact Material: Phosphor Bronze

Contact Plating: Mating Area: 30µ IN gold

Terminates to: .025" cable, 30 AWG

### ELECTRICAL

Current Rating: 0.5 AMP

Consult factory for additional plating options

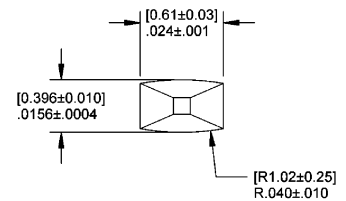
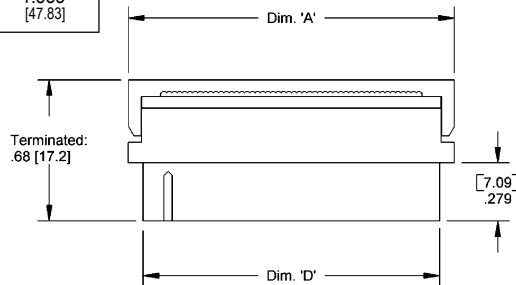


Patented 4 Point/3 Blade

CA- POSITION NFDP-E-P- OPTION

| POSITION | ACCESSORY OPTIONS                               |
|----------|---|
| 50       | SR = Strain Relief                              |
| 68       | LSR = Latching Strain Relief (68 position only) |

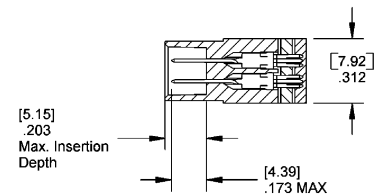
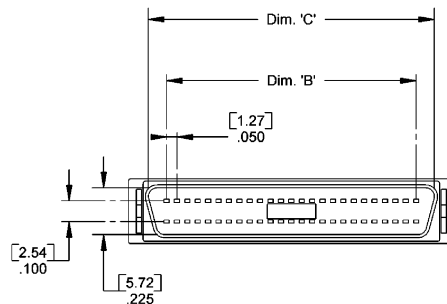
| DIMENSIONS |                  |                  |                  |                  |
|------------|------------------|------------------|------------------|------------------|
| Position   | A                | B                | C                | D                |
| 50         | 1.568<br>[39.83] | 1.200<br>[30.48] | 1.372<br>[34.85] | 1.425<br>[36.20] |
| 68         | 2.018<br>[51.26] | 1.650<br>[41.91] | 1.822<br>[46.28] | 1.883<br>[47.83] |



Latching Strain Relief  
LSR68NFDP



Strain Relief  
SRXXNFDP



Top Exit Strain Relief available

Mating Product: HDSR (page 53), NFDS (page 50-51) & other board mount sockets  
Drawing Number: CA-620351

