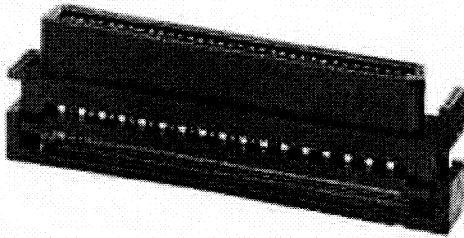




Patent Number 5,971,793



Pitch: .050"

# INSULATION DISPLACEMENT SOCKET, MICRO RIBBON (BLADE TO BLADE, SCA TYPE)

### SPECIFICATIONS

Mates with: SCA Board Mount Connectors

### ENVIRONMENTAL

Temperature Range: -55°C to +105°C

### MECHANICAL

Insulator Material: Glass-filled thermoplastic, black, UL94V-0

Contact Material: Phosphor Bronze

Contact Plating: Mating Area: 30µ IN gold

Terminates To: .025" cable, 30 AWG

### ELECTRICAL

Current Rating: 0.5 AMP

Consult factory for additional options

3

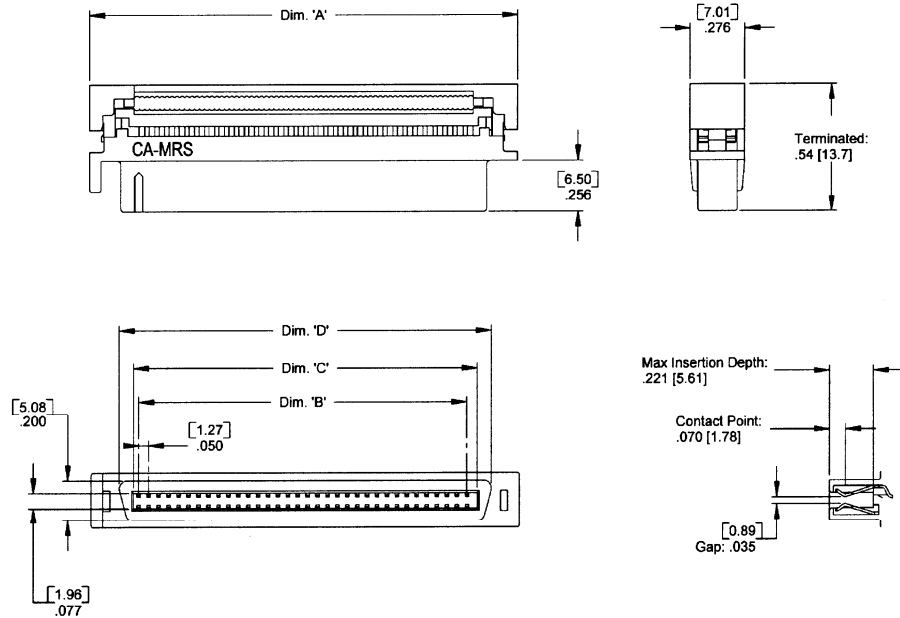
## CA- POSITION MRS-F-1

POSITION	
68	100
80	

DIMENSIONS				
Position	A	B	C	D
68	2.147 [54.53]	1.650 [41.91]	1.725 [43.82]	1.868 [47.45]
80	2.447 [62.15]	1.950 [49.53]	2.025 [51.44]	2.168 [55.07]
100	2.947 [74.85]	2.450 [62.23]	2.525 [64.14]	2.668 [67.77]



Patented IDT Design



Mating Product: 68 & 80 VESA plugs, .062 PCB

Drawing Number: CA-610312 (68 & 80)

For more information please contact our customer service department or visit our website at circuitassembly.com

Circuit Assembly Worldwide Hqtrs. 18 Thomas Street, Irvine, CA 92618-2777 USA Tel 1-949-855-7887 Fax 1-949-855-4298

