



Pitch: 2mm

# INSULATION DISPLACEMENT 2MM SOCKET

## SPECIFICATIONS

### ENVIRONMENTAL

Temperature Range: -55°C to +105°C

### MECHANICAL

Insulator Material: Glass-filled thermoplastic, black, UL94V-0

Contact Material: Beryllium Copper

Contact Plating: 30µ IN gold

Terminates To: 1mm cable

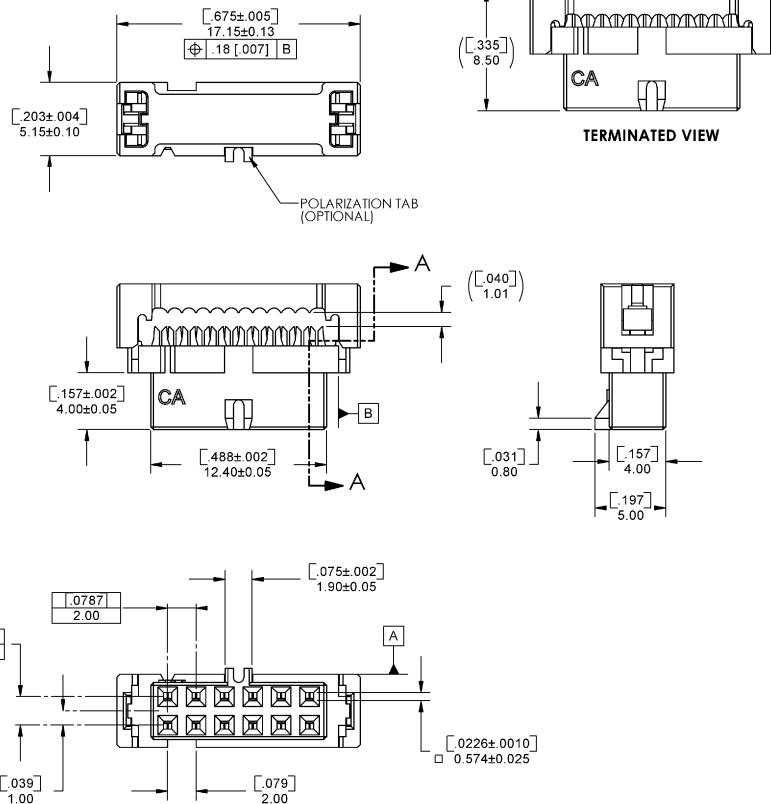
### ELECTRICAL

Current Rating: 1 AMP

Consult factory for additional options

CA-  MID2-F-

POSITION	POLARIZATION
12	0 = no polarization
44	1 = with polarization



Drawing Number: CA-610316

For more information please contact our customer service department or visit our website at circuitassembly.com

Circuit Assembly Worldwide Hqtrs. 18 Thomas Street, Irvine, CA 92618-2777 USA Tel 1-949-855-7887 Fax 1-949-855-4298

