



HDMI TYPE A BOARD MOUNT RECEPTACLE, RIGHT ANGLE, SMT

SPECIFICATIONS

ENVIRONMENTAL

Temperature Range: -20°C to +85°C

MECHANICAL

Insulator Material: Glass-filled thermoplastic, black, UL94V-0

Contact Material: Phosphor Bronze

Contact Plating: See options below

Shell Material: Brass

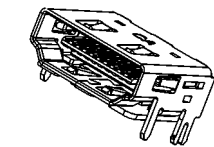
Shell Plating: Nickel

ELECTRICAL

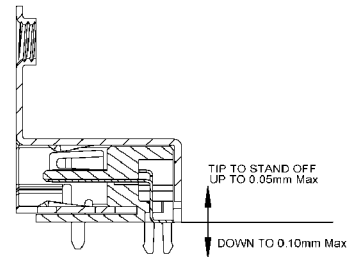
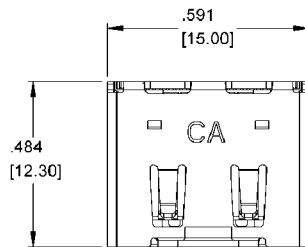
Current Rating: 1 AMP

CA-19HMSR- PLATING -3 FLANGE MNTG

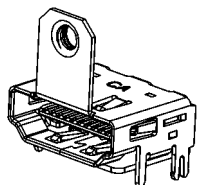
PLATING	FLANGE	MOUNTING
C = 15μ IN gold	0 = without flange	1 = thru hole
F = 30μ IN gold	1 = with flange	2 = SMT
		3 = forklock



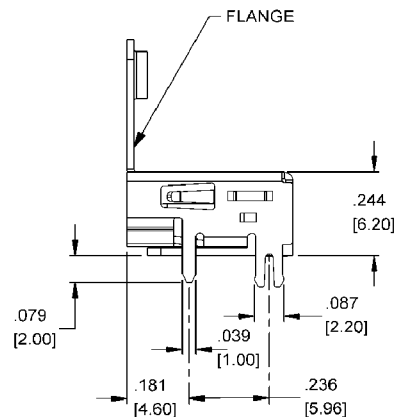
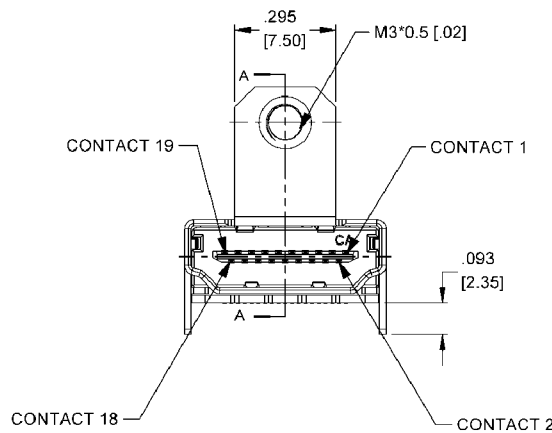
CA-19HMSR-X-303



SECTION A-A



CA-19HMSR-X-313



Mating Product: HMP (page 6), HDMI cable assemblies (page 7)
 Drawing Number: CA-610320

HDMI, the HDMI logo and High-Definition Multimedia Interface, are trademarks or registered trademarks of HDMI Licensing, LLC.



For more information please contact our customer service department or visit our website at circuitassembly.com

Circuit Assembly Worldwide Hqtrs. 18 Thomas Street, Irvine, CA 92618-2777 USA Tel 1-949-855-7887 Fax 1-949-855-4298