



Pitch: .050" x .100"

SCSI SOCKET, SCSI-2/3 PANEL MOUNT RIGHT ANGLE

SPECIFICATIONS

Meets: SCSI-2 standard

ENVIRONMENTAL

Temperature Range: -55°C to +105°C

MECHANICAL

Insulator Material: Glass-filled thermoplastic, black, UL94V-0

Shell Material: Steel

Contact Material: Copper Alloy

Contact Plating: Contact Area: 10µ IN sel gold
Tail Area: Tin

ELECTRICAL

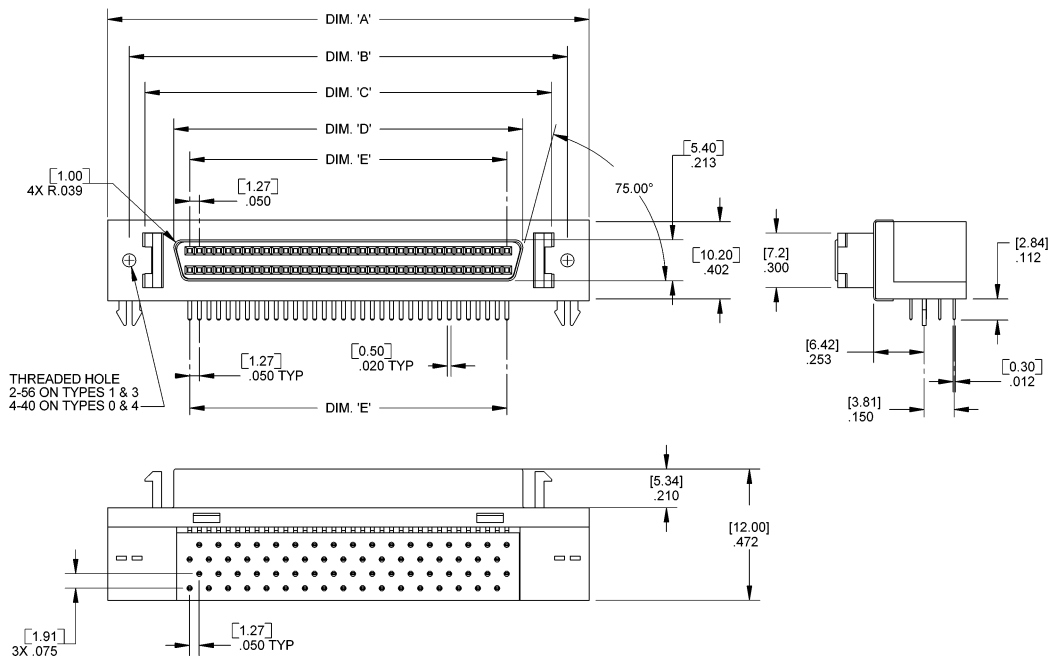
Current Rating: 1 AMP

Consult factory for additional options

CA- POSITION HDSR-B- MOUNTING

POSITION	MOUNTING
50	0 = 4-40 without latch block
68	1 = 2-56 with latch block
	3 = 2-56 without latch block
	4 = 4-40 with latch block

DIMENSIONS					
Position	A	B	C	D	E
50	2.063 [52.40]	1.830 [46.48]	1.665 [42.29]	1.366 [34.70]	1.200 [30.48]
68	2.505 [63.63]	2.280 [57.91]	2.115 [53.73]	1.816 [46.13]	1.650 [41.91]



Mating Product: MDP (page 44-45), NFD (page 46)

Drawing Number: CA-610199

For more information please contact our customer service department or visit our website at circuitassembly.com

Circuit Assembly Worldwide Hqtrs. 18 Thomas Street, Irvine, CA 92618-2777 USA Tel 1-949-855-7887 Fax 1-949-855-4298