

Pitch: .100" x .100"

INSULATION DISPLACEMENT SOCKET, VALUE LINE

SPECIFICATIONS

ENVIRONMENTAL

Temperature Range: -55°C to +105°C

MECHANICAL

Insulator Material: Glass-filled thermoplastic, black, UL94V-0

Contact Material: Copper Alloy

Contact Plating: Gold Flash

Terminates To: .050" cable, 28 AWG

ELECTRICAL

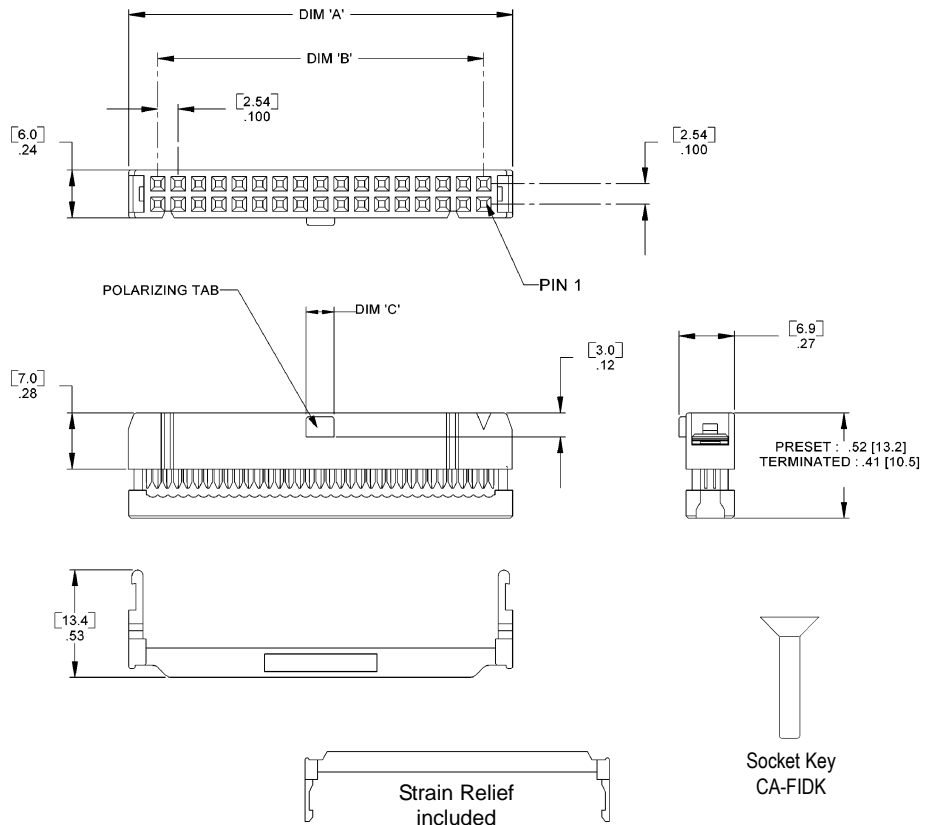
Current Rating: 1 AMP

Consult factory for additional options

CA-FID-A--SR

POSITION	POLARIZATION
06 14 26 40 62	Blank = no polarization
08 16 30 44 64	SPT = w/polarization
10 20 34 50	
12 24 36 60	

DIMENSIONS			
Position	A	B	C
06	.485 [12.32]	.200 [5.08]	.073 [1.85]
08	.585 [14.86]	.300 [7.62]	.073 [1.85]
10	.685 [17.40]	.400 [10.16]	.138 [3.50]
12	.785 [19.94]	.500 [12.70]	.138 [3.50]
14	.885 [22.48]	.600 [15.24]	.138 [3.50]
16	.985 [25.02]	.700 [17.78]	.138 [3.50]
20	1.185 [30.10]	.900 [22.86]	.138 [3.50]
24	1.385 [35.18]	1.100 [27.94]	.138 [3.50]
26	1.485 [37.72]	1.200 [30.48]	.138 [3.50]
30	1.685 [42.80]	1.400 [35.56]	.138 [3.50]
34	1.885 [47.88]	1.600 [40.64]	.138 [3.50]
36	1.985 [50.42]	1.700 [43.18]	.138 [3.50]
40	2.185 [55.50]	1.900 [48.26]	.138 [3.50]
44	2.385 [60.58]	2.100 [53.34]	.138 [3.50]
50	2.685 [68.20]	2.400 [60.96]	.138 [3.50]
60	3.185 [80.90]	2.900 [73.66]	.138 [3.50]
62	3.285 [83.44]	3.000 [76.20]	.138 [3.50]
64	3.385 [85.98]	3.100 [78.74]	.138 [3.50]



Mating Product: H Series (page 94-103), DXX, DXXR strip header (page 107-109), IDHB (page 82)

Drawing Number: CA-610318



For more information please contact our customer service department or visit our website at circuitassembly.com

Circuit Assembly Worldwide Hqtrs. 18 Thomas Street, Irvine, CA 92618-2777 USA Tel 1-949-855-7887 Fax 1-949-855-4298