



EXTERNAL SERIAL ATA PLUG RIGHT ANGLE, SMT

SPECIFICATIONS

ENVIRONMENTAL

Temperature Range:

MECHANICAL

Insulator Material: High temperature thermoplastic, black, UL94V-0

Shell Material: Phosphor Bronze

Contact Material: Brass

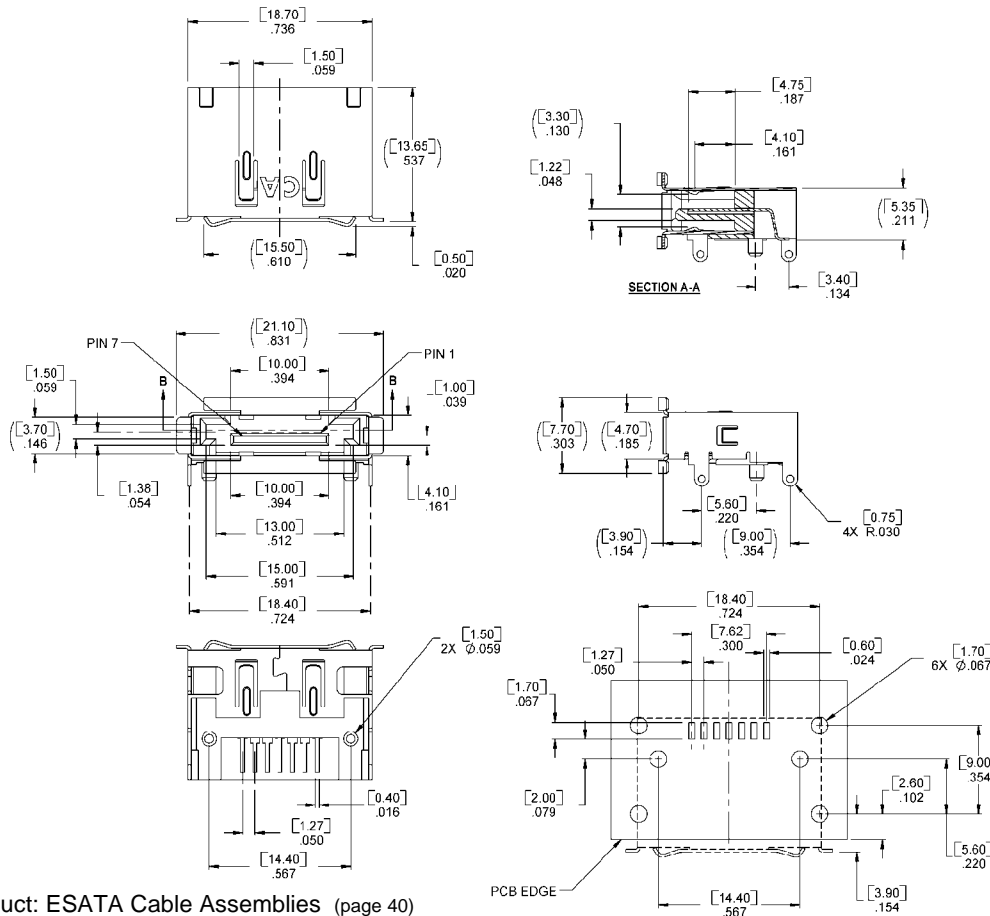
Contact Plating: See options below

ELECTRICAL

Current Rating: 1.5 AMP

CA-07ESAPR- PLATING -0- PIN OUT

PLATING	PIN OUT
1A = gold flash	Blank = standard, blk insulator
C = 15µ IN gold	1 = reversed pin out, natural insulator
F = 30µ IN gold	



Recommended PCB Layout
CA-07ESAPR-X-0
Component Side Shown
PCB Thickness: .062 [1.60]

Mating Product: ESATA Cable Assemblies (page 40)

Drawing Number: CA-620473

