

Pitch: .100" x .200"

EDGE CARD .460" HIGH

SPECIFICATIONS

ENVIRONMENTAL

Temperature Range: -55°C to +105°C

MECHANICAL

Insulator Material: Glass-filled polyester, green, UL94V-0

Contact Material: Copper Alloy

Contact Plating: Solder Tail

Contact Area: 20µ IN gold

Tail Area: 150µ IN tin

Wrap Tail

Contact Area: 20µ IN gold

Tail Area: gold flash

ELECTRICAL

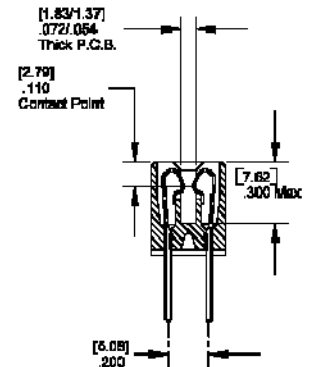
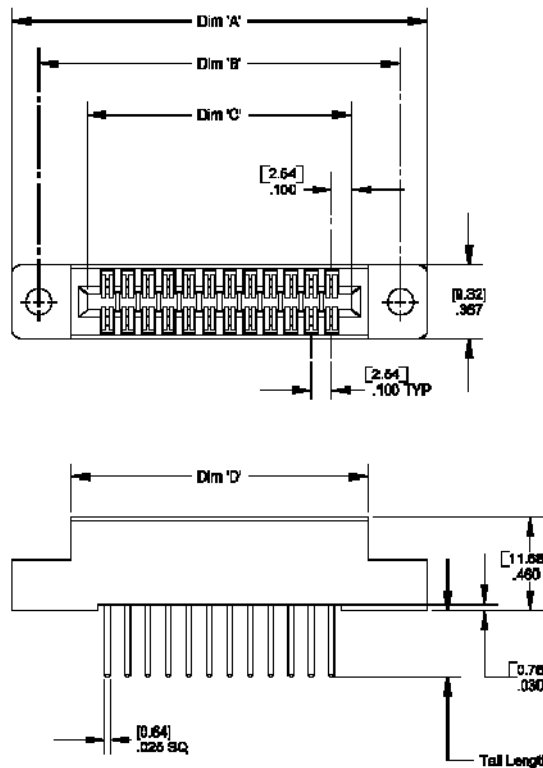
Current Rating: 1 AMP

Consult factory for additional options

CA- POSITION EC- MNTG HOLES - TAIL

POSITION	MOUNTING HOLES	TAIL OPTION
20	40	1 = with mounting holes
24	44	3 = no mounting flange
26	50	4 = 4-40 threaded insert
30	60	
34	72	
36		

DIMENSIONS				
Position	A	B	C	D
20	1.835 [46.61]	1.575 [40.00]	1.100 [27.94]	1.260 [32.00]
24	2.035 [51.69]	1.775 [45.08]	1.300 [33.02]	1.460 [37.08]
26	2.135 [54.23]	1.875 [47.62]	1.400 [35.56]	1.560 [39.62]
30	2.335 [59.31]	2.075 [52.70]	1.600 [40.64]	1.760 [44.70]
34	2.535 [64.39]	2.275 [57.78]	1.800 [45.72]	1.960 [49.78]
36	2.635 [66.93]	2.375 [60.32]	1.900 [48.26]	2.060 [52.32]
40	2.835 [72.01]	2.575 [65.40]	2.100 [53.34]	2.260 [57.40]
44	3.035 [77.09]	2.775 [70.48]	2.300 [58.42]	2.460 [62.48]
50	3.335 [84.71]	3.075 [78.10]	2.600 [66.04]	2.760 [70.10]
60	3.835 [97.41]	3.575 [90.80]	3.100 [78.74]	3.260 [82.80]
72	4.435 [112.65]	4.175 [106.04]	3.700 [93.98]	3.860 [98.04]



Mating Product: PCB edge card
Drawing Number: CA-610007

For more information please contact our customer service department or visit our website at circuitassembly.com

Circuit Assembly Worldwide Hqtrs. 18 Thomas Street, Irvine, CA 92618-2777 USA Tel 1-949-855-7887 Fax 1-949-855-4298

