

DVI2 SOCKET, RIGHT ANGLE

SPECIFICATIONS

Meets: DDWG's DVI specification

ENVIRONMENTAL

Temperature Range: -20°C to +85°C

MECHANICAL

Insulator Material: Glass-filled thermoplastic, natural, UL94V-0

Shell Material: Zinc Alloy

Contact Material: Phosphor Bronze

Contact Plating: 15µ IN gold

ELECTRICAL

Current Rating: 1.5 AMP

Insulation Resistance: 1000 Megohms Min.

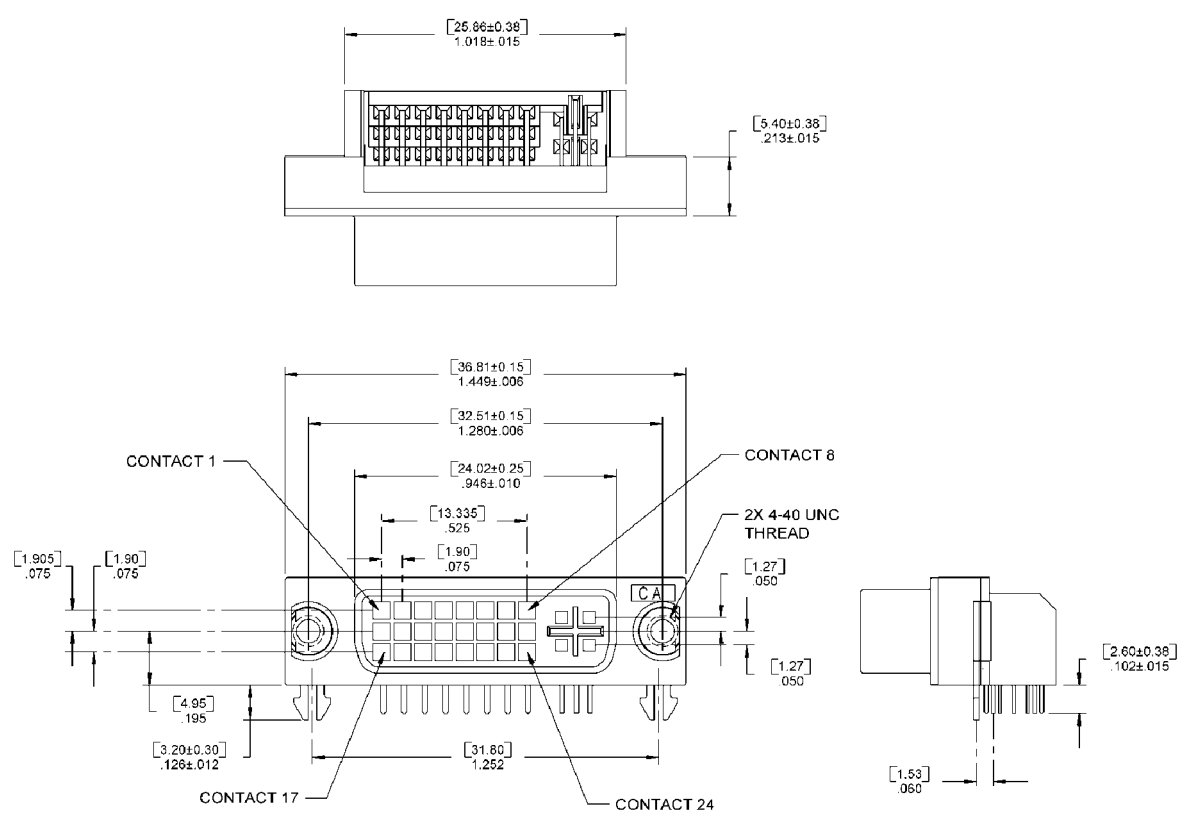
Dielectric Withstanding: 500V AC (rms)

Contact Resistance: 20 Milliohms max

Consult factory for additional plating options

CA- -A-C

| POSITION | TYPE | PROFILE | MOUNTING |
|-----------------|---------------------|------------------------|--|
| 24 (digital) | D = digital (24) | R = Right Angle | 1 = 4-40 threaded insert |
| 29 (integrated) | I = integrated (29) | A = ATX Fork lock, R/A | 2 = 4-40 hex screwlock (packaged separately) |
| | | | 3 = 4-40 hex screwlock (installed) |



Mating Product: DVIP (page 8), DVI cable assemblies (page 14)
 Drawing Numbers: CA-610313, 610302, H810001, H810003

