



DVI2 SOCKET, EXTENDED RIGHT ANGLE

SPECIFICATIONS

Meets: DDWG's DVI specification

ENVIRONMENTAL

Temperature Range: -20°C to +85°C

MECHANICAL

Insulator Material: Glass-filled thermoplastic, natural, UL94V-0

Shell Material: Steel

Contact Material: Phosphor Bronze

Contact Plating: Gold flash

ELECTRICAL

Current Rating: 1.5 AMP

Insulation Resistance: 1000 Megohms Min.

Dielectric Withstanding: 500V AC (rms)

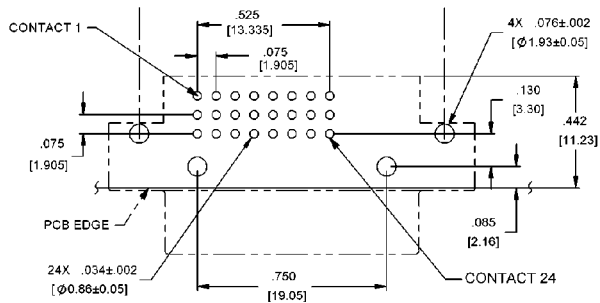
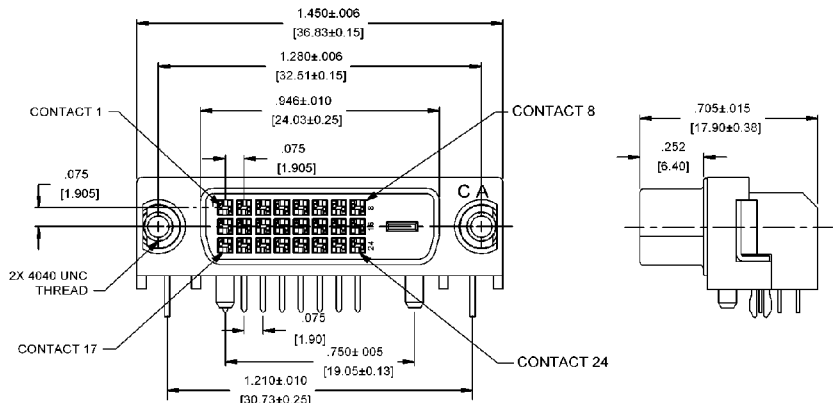
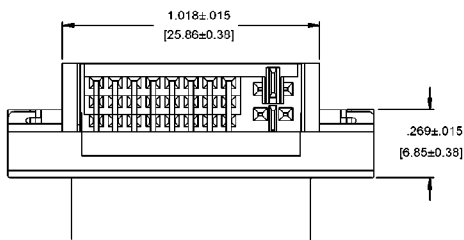
Contact Resistance: 20 Milliohms max

Consult factory for additional plating options

CA-24DVI2SDT-A- MOUNTING

MOUNTING

- 1 = 4-40 threaded insert
- 2 = 4-40 hex screwlock (packaged separately)
- 3 = 4-40 hex screwlock (installed)



PC BOARD MOUNTING PATTERN
COMPONENT SIDE

Mating Product: DVIP (page 8), DVI cable assemblies (page 14)

Drawing Number: CA-610322

For more information please contact our customer service department or visit our website at circuitassembly.com

Circuit Assembly Worldwide Hqtrs. 18 Thomas Street, Irvine, CA 92618-2777 USA Tel 1-949-855-7887 Fax 1-949-855-4298

