



DVI2 SOCKET, VERTICAL

SPECIFICATIONS

Meets: DDWG's DVI specification

ENVIRONMENTAL

Temperature Range: -20°C to +85°C

MECHANICAL

Insulator Material: Glass-filled thermoplastic, natural, UL94V-0

Shell Material: Zinc Alloy

Contact Material: Phosphor Bronze

Contact Plating: Gold flash

ELECTRICAL

Current Rating: 1.5 AMP

Insulation Resistance: 1000 Megohms Min.

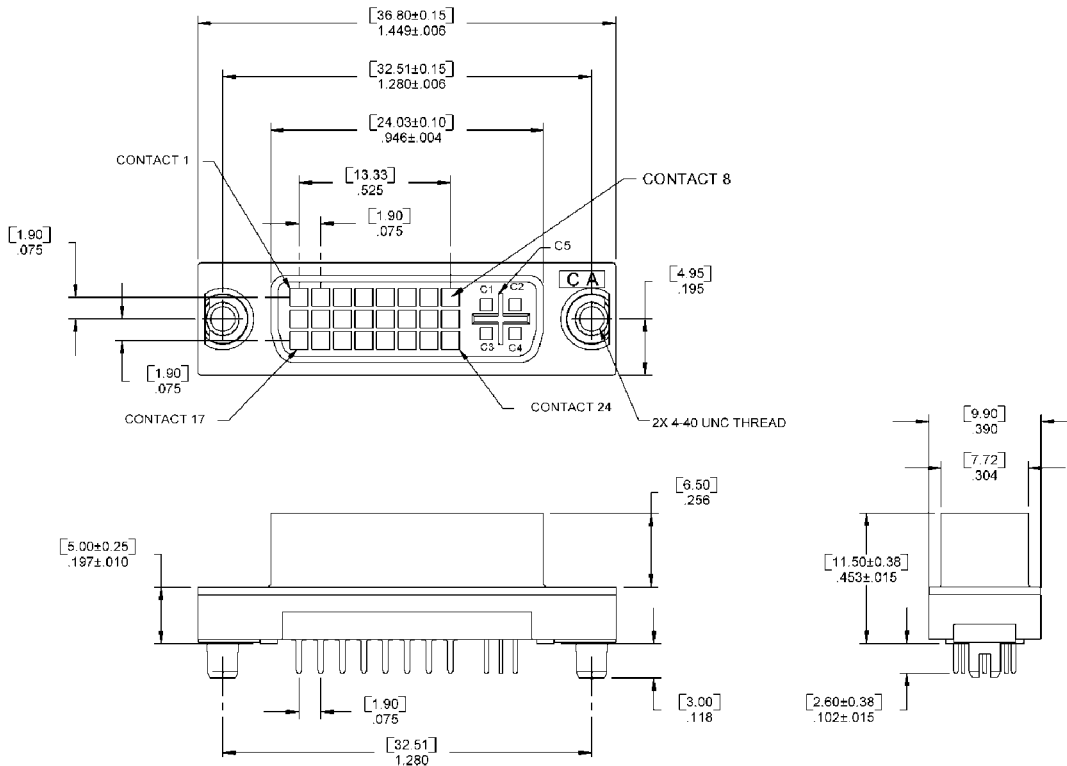
Dielectric Withstanding: 500V AC (rms)

Contact Resistance: 20 Milliohms max

Consult factory for additional plating options

CA- POSITION DVI2S TYPE V-A-C MNTG

POSITION	TYPE	MOUNTING
24 (digital)	D = digital (24)	1 = 4-40 threaded insert
29 (integrated)	I = integrated (29)	2 = 4-40 hex screwlock (pkg separately)
		3 = 4-40 hex screwlock (installed)



Mating Product: DVIP (page 8), DVI cable assemblies (page 14)

Drawing Numbers: CA-T610082, 610300



For more information please contact our customer service department or visit our website at circuitassembly.com

Circuit Assembly Worldwide Hqtrs. 18 Thomas Street, Irvine, CA 92618-2777 USA Tel 1-949-855-7887 Fax 1-949-855-4298