



Pitch: .109" x .112"

D-SUB SOCKET, RIGHT ANGLE .590" FOOTPRINT

SPECIFICATIONS

Self-retaining Board Lock
.590 Body

ENVIRONMENTAL

Temperature Range: -55°C to +105°C

MECHANICAL

Insulator Material: Glass-filled thermoplastic, black, UL94V-0

Shell Material: Steel

Contact Material: Copper Alloy

Contact Plating: Gold Flash

ELECTRICAL

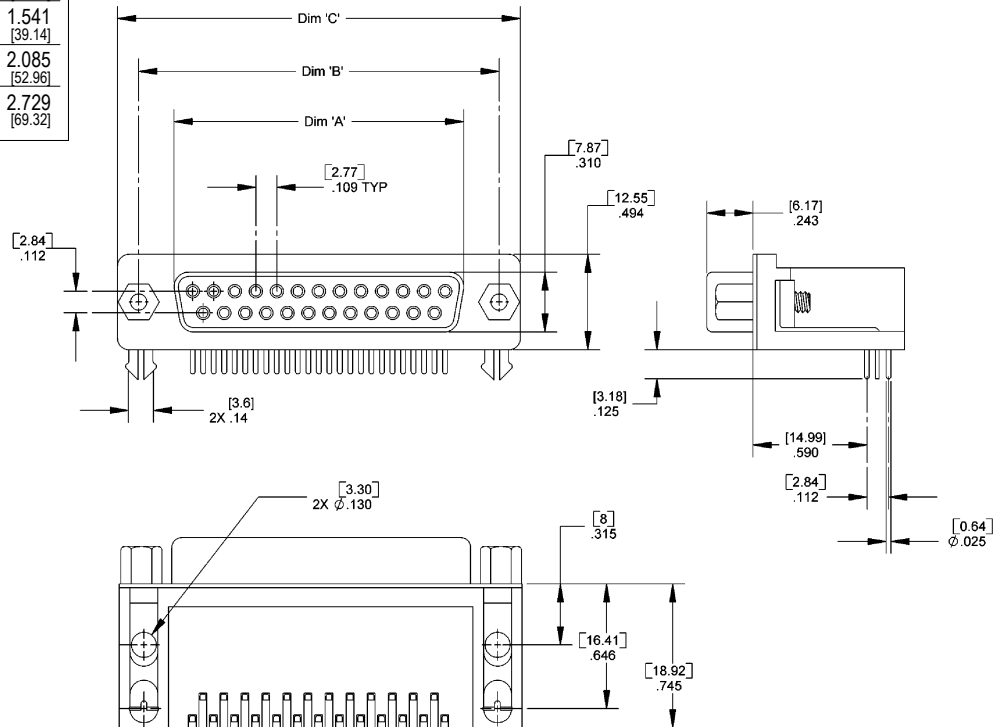
Current Rating: 1 AMP

Consult factory for additional options

CA- POSITION DSRL-11 JACKSCREW

POSITION	JACKSCREW
09 25	Blank = 4-40 jackscrew, installed
15 37	N = 4-40 jackscrew, not installed (packaged separately)

DIMENSIONS			
Position	A	B	C
09	.643 [16.33]	.984 [24.99]	1.213 [30.81]
15	.971 [24.66]	1.311 [33.30]	1.541 [39.14]
25	1.511 [38.38]	1.852 [47.04]	2.085 [52.96]
37	2.159 [54.84]	2.500 [63.50]	2.729 [69.32]



Mating Product: DPS (page 136), DPID (page 138), FCP (page 66)

Drawing Number: CA-610119

For more information please contact our customer service department or visit our website at circuitassembly.com

Circuit Assembly Worldwide Hqtrs. 18 Thomas Street, Irvine, CA 92618-2777 USA Tel 1-949-855-7887 Fax 1-949-855-4298

