



D-SUB, HIGH DENSITY SOCKET, VERTICAL

SPECIFICATIONS

ENVIRONMENTAL

Temperature Range: -55°C to +105°C

MECHANICAL

Insulator Material: Glass-filled thermoplastic, black, UL94V-0

Shell Material: Steel

Contact Material: Copper Alloy

Contact Plating: Gold Flash

ELECTRICAL

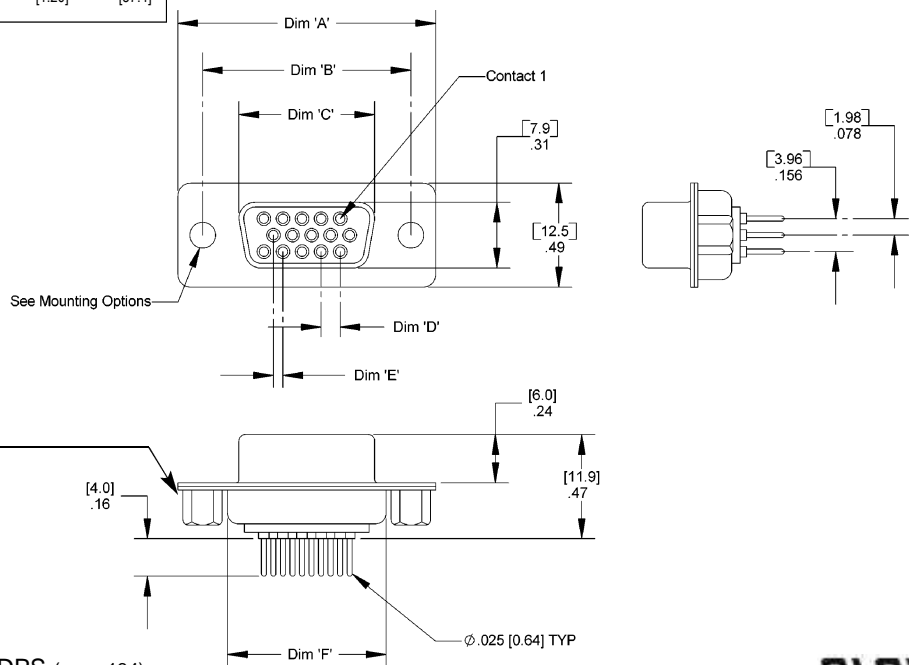
Current Rating: 1 AMP

Consult factory for additional options

CA- DHDS-

POSITION		MOUNTING
15	44	Blank = .120" thru hole
26	62	4 = 4-40 threaded insert

DIMENSIONS						
Position	A	B	C	D	E	F
15	1.21 [30.70]	.984 [24.99]	.642 [16.31]	.090 [2.29]	.045 [1.15]	.76 [19.3]
26	1.54 [39.10]	1.311 [33.30]	.969 [24.61]	.090 [2.29]	.045 [1.15]	1.09 [27.7]
44	2.09 [53.10]	1.854 [47.09]	1.508 [38.30]	.090 [2.29]	.045 [1.15]	1.62 [41.1]
62	2.73 [69.30]	2.500 [63.50]	2.157 [54.79]	.095 [2.41]	.047 [1.20]	2.26 [57.4]



Mating Product: DHDP (page 132), DHDP (page 134)
 Drawing Number: CA-610225

