



Pitch: .050" x .100"

CA-68NFDS-E-0

SCSI SOCKET, SCSI-3 IDT  
PANEL MOUNT SOCKET WITH 4-40

**SPECIFICATIONS**

Meets: SCSI-3 standard (68 position)

**ENVIRONMENTAL**

Temperature Range: -55°C to +105°C

**MECHANICAL**

Insulator Material: Glass-filled polyester, black, UL94V-0

Shell Material: Steel, tin plated

Frame Material: Zinc, nickel plate

Contact Material: Phosphor Bronze

Contact Plating: 30µ IN gold

Terminates To: .025" cable, 30 AWG

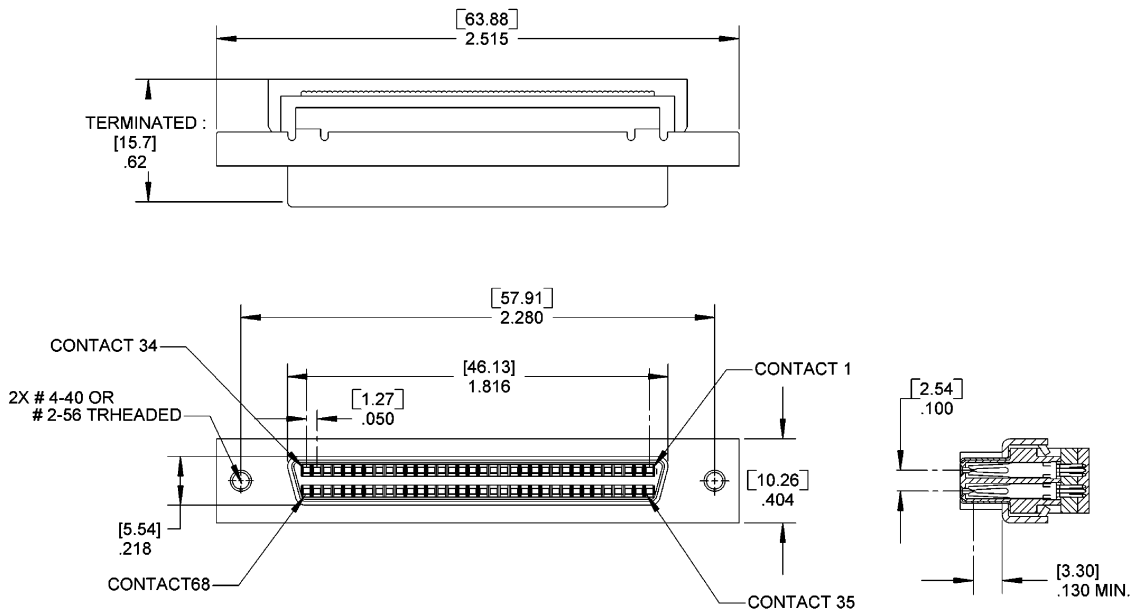
**ELECTRICAL**

Current Rating: 0.5 AMP

Consult factory for additional options



Patented 4 Point/3 Blade



Mating Product: MDP (page 44-45), NFDP (page 46)

Drawing Number: CA-610288



For more information please contact our customer service department or visit our website at circuitassembly.com

Circuit Assembly Worldwide Hqtrs. 18 Thomas Street, Irvine, CA 92618-2777 USA Tel 1-949-855-7887 Fax 1-949-855-4298