

Patent Number 5,971,793



Pitch: .050" X .100"

INSULATION DISPLACEMENT PLUG SCSI-2/3 FOR 30 AWG

SPECIFICATIONS

Meets: SCSI-3 Standard

ENVIRONMENTAL

Temperature Range: -55°C to +105°C

MECHANICAL

Insulator Material: Glass-filled polyester, black, UL94V-0

Contact Material: Phosphor Bronze

Contact Plating: See options below

Terminates To: .025" cable, 30 AWG

ELECTRICAL

Current Rating: 0.5 AMP

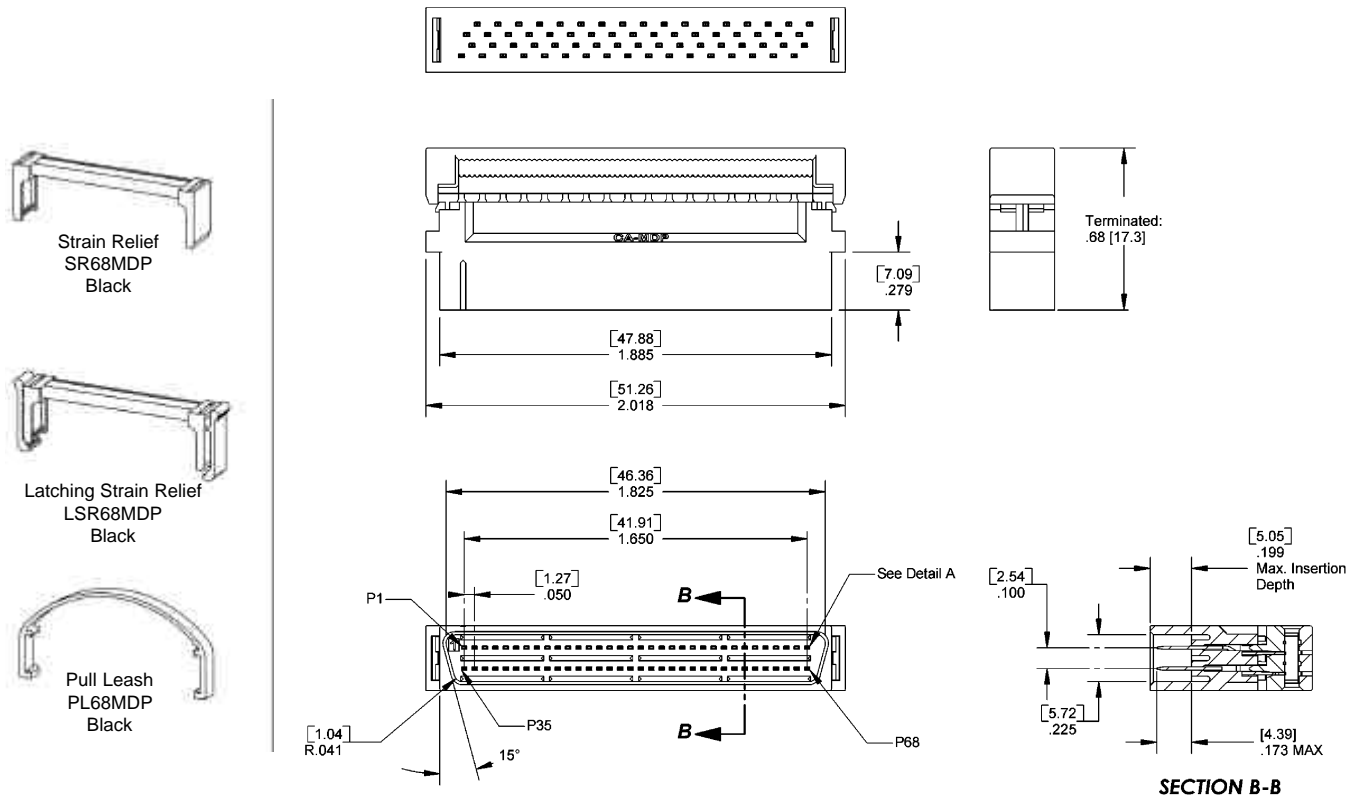
Consult factory for additional plating options



Patented IDT Design

CA-68MDP- PLATING - OPTION

PLATING	ACCESSORY OPTIONS
F = 30µ IN gold	SR = Strain Relief
C = 15µ IN gold	LSR = Latching Strain Relief
A = gold flash	PL = Pull Leash



Mating Product: MDS (page 52), HDSR (page 53), NFDS (page 50-51)
Drawing Number: CA-620368

